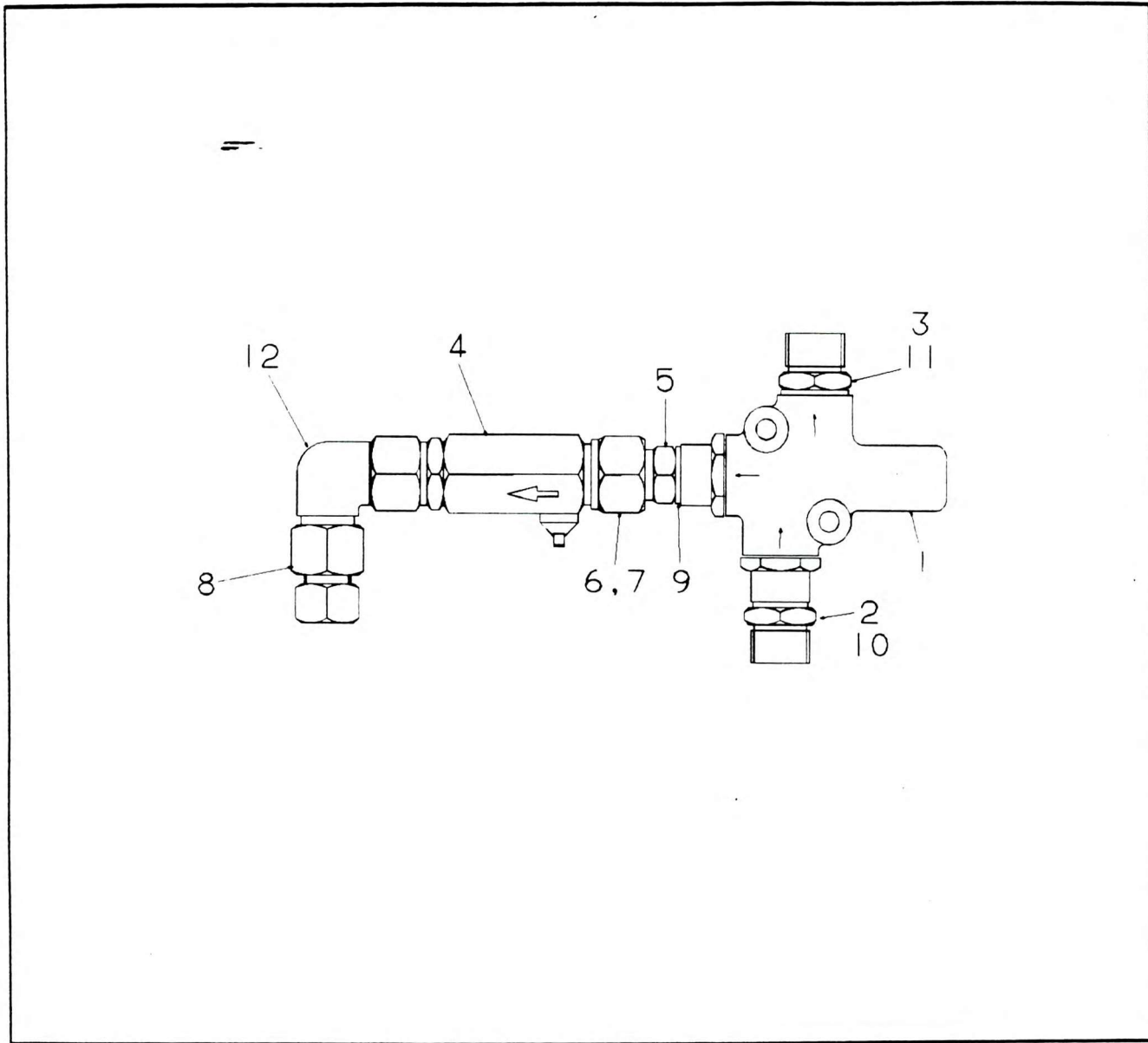


FLOW CONTROL VALVE ASSEMBLY



NO.	PART NO.	QTY.	DESCRIPTION	NO.	PART NO.	QTY.	DESCRIPTION
1	+ 7-926-001824	1	Valve Flow Control				
2	7-443-991213	1	Adaptor $\frac{3}{4}$ " x M22				
3	7-443-991222	1	Adaptor M26 x $\frac{3}{4}$ "				
4	7-926-001980	1	Flow Indicator				
5	6-443-990161	1	Adaptor M18 to 22 Dia.				
6	7-443-990610	1	Nut				
7	7-443-990611	1	Sleeve				
8	7-443-990457	1	Reducer Standpipe 22-15 O/D				
9	7355304	1	Seal				
10	7355305	1	Seal Dowty				
11	7355406	1	Seal Dowty				

+ See further breakdown in this group

6-294-991924
Issue No. 00